



**Efficient, Space-saving Design**

Optimize the layout of your lab with the Consolidated Tower Model Sterilizer. Regardless of the size of your lab, we understand that space is always at a premium. The Tower Model Sterilizer will not only save space, but will also help save money and resources by minimizing the effect of downtime and increasing lab throughput; each chamber of the Tower Model can be run independently and simultaneously with the other.

**Tower Model Benefits:**

- 35% reduction of utilized floor space compared to two side-by-side sterilizers.
- Simultaneous sterilization – run each unit independently.
- Customize each chamber for a specific application.
- Intuitive and easy-to-use Advantage Series™ Allen-Bradley Controls.
- Recessed and cabinet models for efficient use of valuable lab space.

**Smart Options:**

- Advantage Series™ Programmable Logic Controllers – Increase efficiency and overall control of your sterilizer units with industry-proven performance.
- ProGEN™ Steam Generator (Remotely mounted) – When house steam is unavailable or impractical, ProGEN™ provides a consistent steam supply.
- WaterEco® Water Conservation Systems – Save on utility costs and decrease your facility’s environmental footprint
- SteriNET® Remote Monitoring – Monitor and capture data accurately, anywhere, anytime.
- Loading Cart and Transfer Carriage – Practical, convenient transfers.

**Time Proven Construction**

Consolidated Tower Model Sterilizers have over 65 years of heritage in the industry and feature our renowned quality construction. Our reputation for reliability, quality and safety is built into every sterilizer so your operation will enjoy maximum uptime. We also utilize non-proprietary valves that are often available from local suppliers. Coupled with a network of local dealers and service companies, this ensures the lowest cost of ownership and highest standards of sterilization available on the market today.

To learn more about the Consolidated Tower Model or discuss how this sterilizer can integrate into your laboratory, contact us today.

Dual Chamber Tower Models					
2A	3A	Per Chamber		Total	
		Interior Dimensions (w x h x f-b)	Interior Volume (cu. ft./liters)	Ship Weight (lbs/kg)	Ship Dimensions (w x h x f-b)
<b>2SSR-2A</b>		16" x 16" x 26" 40.6 x 40.6 x 66 cm	3.9 cu. ft. 109 liters	2,250 lbs 1,125 kg	43" x 87" x 61" 109.2 x 221 x 154.9 cm
<b>2SSR-3A</b>		20" x 20" x 38" 50.8 x 50.8 x 96.5 cm	8.8 cu. ft. 249 liters	3,250 lbs 1,477 kg	43" x 87" x 61" 109.2 x 221 x 154.9 cm

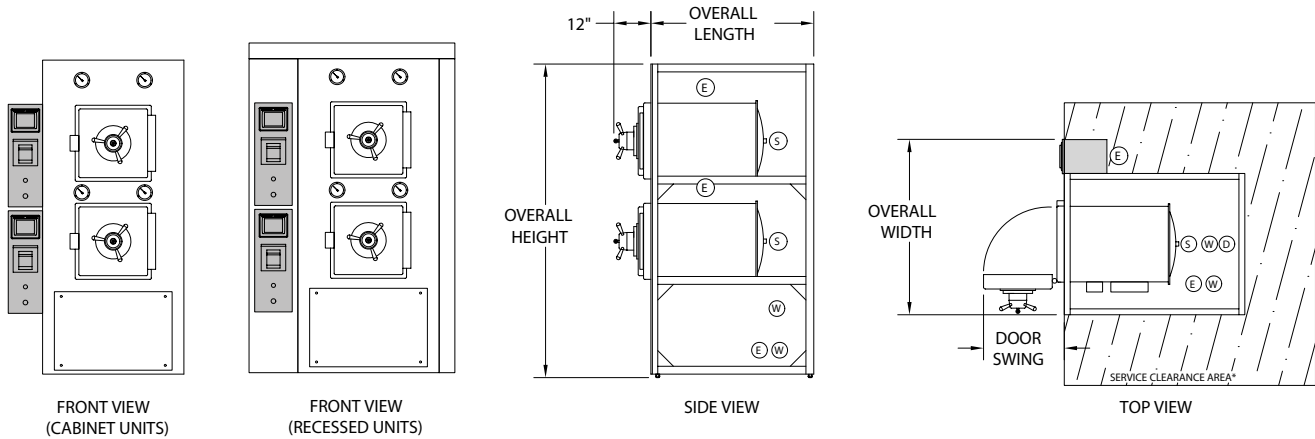
*Specify Advantage Series™ ADV-PRO™, ADV-PLUS™ or ADV-PB™ when ordering. Available with optional ProGEN™ electric steam generator.*



Model 2SSR-3A-ADVPRO

**— Exclusive Tower Model —**  
Available only from Consolidated Sterilizer Systems.





E Electrical   
 D Drain   
 W Water   
 S Steam

Model	2SSR-2A	2SSR-3A
Chamber Dimensions (w x h x f-b)	16" x 16" x 26" 40.6 x 40.6 x 66 cm	20" x 20" x 38" 50.8 x 50.8 x 96.5 cm
Volume (per chamber)	3.9 cu. ft. 109 liters	8.8 cu. ft. 249 liters
Overall Width (inches)	45.5" 115.6 cm	45.5" 115.6 cm
Overall Height (inches)	81" 205.7 cm	81" 205.7 cm
Overall Length (inches)	42" 106.7 cm	46" 116.8 cm
Wall Opening Width (inches)*	49.5" 125.7 cm	49.5" 125.7 cm
Wall Opening Height (inches)	82" 208.3 cm	82" 208.3 cm
Door Swing (inches)	22.5" 57.2 cm	27" 68.6 cm

\* Alternative controller mounting options are available at no charge for installations into smaller wall openings. Contact Consolidated or your Consolidated Sales Representative to arrange a solution.

### Advantage Series™ Controls

Consolidated's Advantage Series™ Programmable Logic Controllers are built using proven industry-standard components that provide dependable performance, solid reliability and international parts availability.

Controller Models	Display	Key Features
ADV-PRO™		6" or 10" Color Touchscreen 22+ Cycles Pre-Vac Capability Password Protection BSL-3 Compatible
ADV-PLUS™		6" Monochrome Touchscreen 12 Cycles Pre-Vac Capability
ADV-PB™		3" Monochrome Touchscreen 2 Cycles

### WaterEco® Water Saving Systems

Consolidated WaterEco® Water Saving Systems reduce water consumption to the autoclave by up to 99%. Factory or field installed. Available on gravity and pre-vacuum units in the following configurations:

- WaterEco® Gravity Basic: Reduces cooling water by up to 90% without the use of electricity.
- WaterEco® Gravity Plus: Choose this feature if facility chilled water circulation system is readily available. This option reduces cooling water usage by up to 99%.
- WaterEco® Vacuum Basic: Steam sterilizer vacuum systems require a relatively high flow of cold water to function properly. This option reduces vacuum and cooling water consumption up to 50% on pre-vacuum sterilizers. Additional footprint required.
- WaterEco® Vacuum Plus: Choose this feature if facility chilled water circulation system is readily available. The full recovery system reduces waste water from the vacuum system by up to 99%. Additional footprint required.



### Remote Monitoring, Troubleshooting, Supervisory Control and Data Acquisition

Consolidated's Advantage Series sterilizer controllers are designed for seamless interface with a suite of state-of-the-art monitoring, troubleshooting, supervisory control and data acquisition solutions required to meet specific laboratory and/or facility requirements.

- SteriNET® **DataPort**, data downloading to a local computer for facility monitoring system.
- SteriNET® **Connex**, for live factory diagnostics.
- SteriNET® **APPs**, third party monitoring applications for mobile devices.
- SteriNET® **SCADA**, connects to a Supervisory Control and Data Acquisition System.